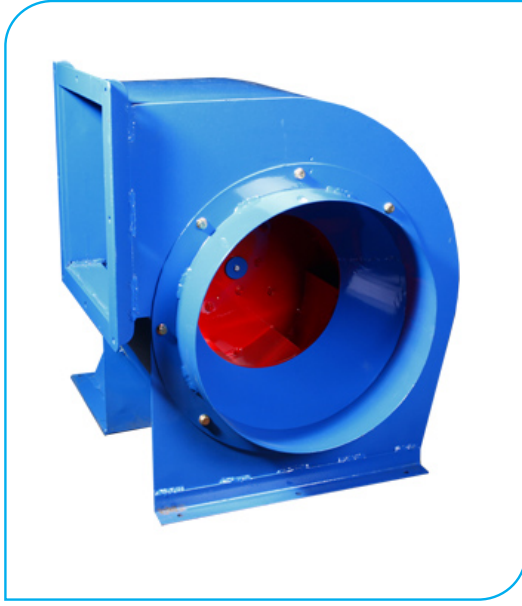


FPRK ORTA BASINÇLI RADYAL FAN FPRK TYPE RADIAL FAN

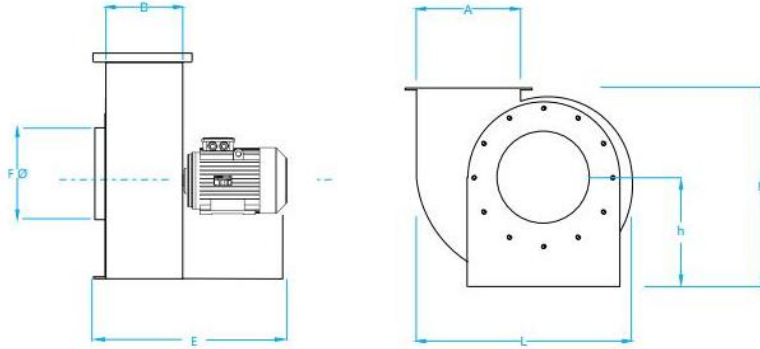


KULLANIM ALANLARI / AREAS OF USAGE

- Toz toplama / Collecting dust
- Duman ve egzost tahliyesinde / Fume-gas elimination
- İnce tanecikli malzeme naklinde (mermer tozu, tahta tozu, granür, plastik vs.) / (marble dust, granule, plastique etc.)
- Matbaalarda, kağıt, mobilya, kereste, sunta, seramik ve mermer fabrikalarında / At printing houses different factories such as textile
- Geriye eğik kanatlı / Backward curved blades

ÖZELLİKLERİ / SPECIFICATIONS

- Debi / Airflow: 3.000 – 14.000 m³/h
- Basınç / Pressure: 500 – 2000 Pa
- Direkt akuple / Direct couple



SERİ	Güç kw	Devir rpm	Debi m ³ /h	Basınç pa.	A	B	H	L	h	E	Ø F
FPRK 10	0,37	2850	2.500	400	120	120	490	460	200	320	150
FPRK 20	0,75	2850	3.500	450	120	120	600	530	220	330	150
FPRK 30	1,1	2850	4.000	600	120	120	600	550	250	350	150
FPRK 40	1,5	2850	5.000	700	150	150	640	580	250	370	180
FPRK 50	2,2	2850	6.500	800	160	180	665	610	330	400	200
FPRK 60	3	2850	8.000	900	180	200	680	655	410	520	220
FPRK 70	4	2850	9.000	1100	200	200	770	715	440	520	250
FPRK 80	5,5	2850	10.000	1300	250	250	825	760	460	630	300
FPRK 90	7,5	2850	11.000	1500	250	250	900	810	460	630	300
FPRK 100	11	2850	12.500	1750	280	250	1030	895	480	840	350
FPRK 110	15	2850	15.000	2050	320	250	1100	975	480	840	400
FPRK 125	18,5	2850	16.500	2250	370	250	1125	1025	480	840	400
FPRK140	22	2850	18.000	2500	400	300	1150	1110	520	790	500
FPRK 160	30	2850	21.000	2800	400	300	1250	1170	540	810	560
FPRK 180	37	2850	24.000	3100	450	350	1350	1275	540	840	560

All dimensions are in mm.

